

BONITOR

fine mini projector

MP302 User Guide



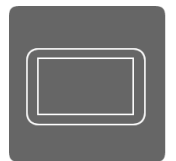
Desktop



Laptop



Netbook



UMPC

User Guide Menu

Overview 3

Specifications 4

Compatibility 5

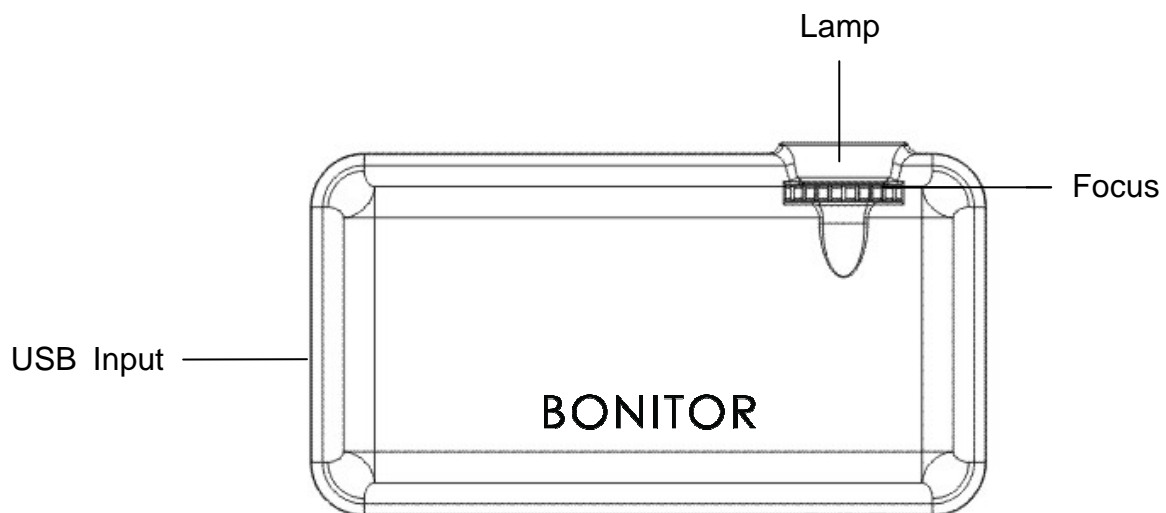
Operating Instructions 6-7

Trouble Shooting 8

Safety Statements 9

Overview

Bonitor MP302 is a portable mini projector embedded with three RGB LEDs which can project sharper and more colorful pictures. MP302 proudly works with Windows and Mac operating systems. It allows you to give a mobile presentation simply by connecting your laptop with MP302. With built-in flash memory, MP302 can also project videos or images itself. It is an ideal solution to demonstrate your ideas and products.



Specifications

Description	Parameter
Display Technology	LCOS
Maximum Output Resolution	1920 x 1200 pixels
Aspect Ratio	4 : 3
Brightness	15 lumens
Throw Ratio	1.62
Projection Distance	140mm - infinite
Image Size	86.4mm - infinite / 3.4" - infinite
Light Source	RGB LED
LED Lifetime	>30,000 hours
Inputs	VGA, DC Power
Dimension	100 x 53 x 25 mm
Weight	110 grams
Tripod Socket	¼" – 20
Operating Temperature	10° - 27°C / 50° - 80°F

Operating Instructions

Functioning MP302 with Computer

1. Connecting a computer

Connect MP302 and a computer with the included USB cable.

2. Installing a driver

Browse www.bonitor.com/support/ to download the latest driver for MP302. Install the driver in the unzipped folder.

3. Functioning MP302

After successful driver installation, a program called UVProjector should be installed. Start the program and the projector should be functioning.

Moving Files to MP302

1. Connecting a computer

Connect MP302 and a computer with the included USB cable.

2. Using remote controller

Press 'Return' button of the remote controller. MP302 should be projecting a 'Home Menu' screen. Choose 'USB Storage', press 'Enter' of the remote controller, the computer should recognize MP302 as a USB stick. Drag and drop the files to the memory of MP302.

Functioning MP302 with Wall Charger

1. Connecting the wall charger

Connect MP302 with the included wall charger.

2. Using remote controller

Press 'Return' button of the remote controller. MP302 should be projecting a 'Home Menu' screen. Choose 'Flash', press 'Enter' of the remote controller. Two sub-folders naming 'Photo' and 'Movie' are shown. Choose the right folder and then the file name.

Image Size

Distance between MP302 and the display decides the image size. The following table gives a quick reference for the relationship.

Distance	Image Size
5.5 Inch	3.4 Inch
16 Inch	9.9 Inch
32 Inch	19.8 Inch
80 Inch	49.4 Inch
118 Inch	72.8 Inch

Trouble Shooting

Situations	Problems and Solutions
No Projection	<ol style="list-style-type: none">1. Driver uninstalled Install proper driver for MP3022. USB connection Reconnect the USB cable
Blurred Image	<ol style="list-style-type: none">1. Not focused Rotate the focus wheel until the projected image is satisfactory2. Out of range Place MP302 within the distance range

Safety Statements

CE Statement

This product is herewith confirmed to comply with applicable directive 2004/108/EC Electromagnetic Compatibility (as amended) in accordance with European Union Rules.

The equipment was passed. The test was performed according to the following applicable standards:

EMC

EN 55022: 2006

EN55024: 1998+A1: 2001+A2: 2003

EN61000-3-2: 2006

EN61000-3-3: 1995+A1: 2001+A2: 2005

FCC Statement Class B

This equipment has been tested and found to comply with the limits for a class B digital device, pursuant to Part 15 of the FCC rules. These limits are designed to provide reasonable protection against harmful interference in a residential installation. This equipment generates uses and can radiate radio frequency energy and, if not installed and used in accordance with the instructions, may cause harmful interference to radio communications. However, there is no guarantee that interference will not occur in a particular installation. If this equipment does cause harmful interference to radio or television reception, which can be determined by turning the equipment off and on, the user is encouraged to try to correct the interference by one or more of the following measures:

- Reorient or relocate the receiving antenna
- Increase the separation between the equipment and receiver
- Connect the equipment to an outlet on a circuit different from that to which the receiver is connected
- Consult the dealer or an experienced radio/TV technician for help